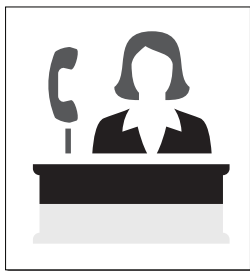
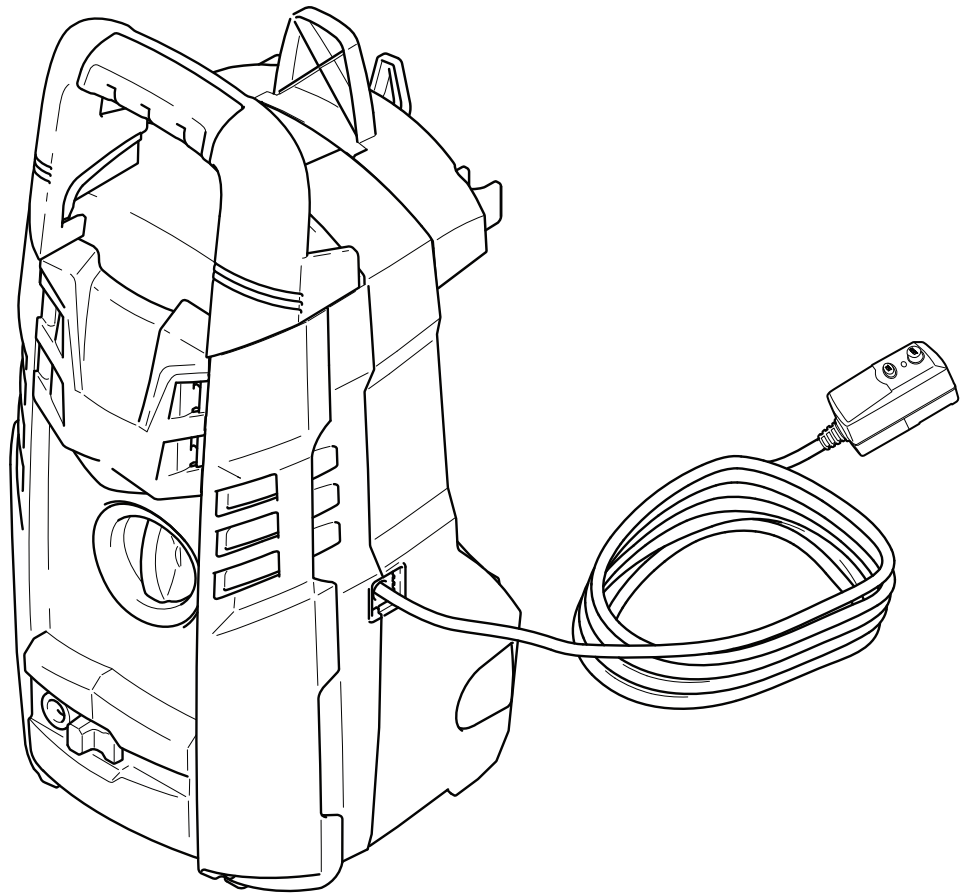




**BLUE[®]
CLEAN**

Instruction Manual

Model AR 117



Customer Help Line
1-866-235-5112



WARNING: To reduce the risk of injury, the user must read and understand the instructions before using this product.

SAVE THESE INSTRUCTIONS FOR FUTURE REFERENCE

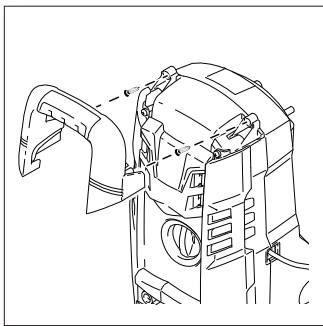
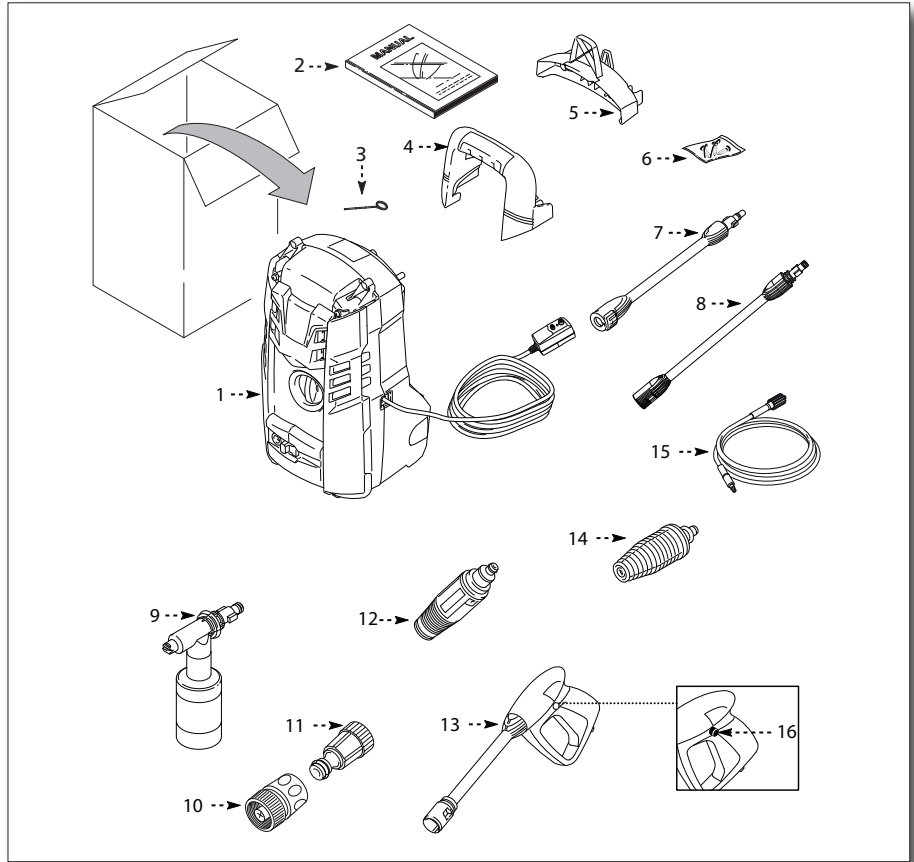
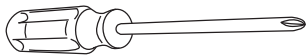
www.arblueclean.com

AR 117 - 93364 - MQ

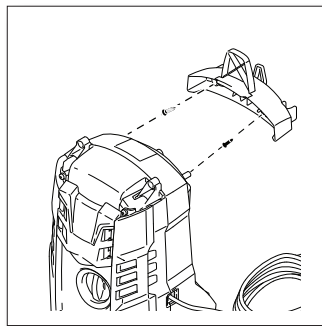
QUICK START GUIDE

PACKAGE CONTENT:

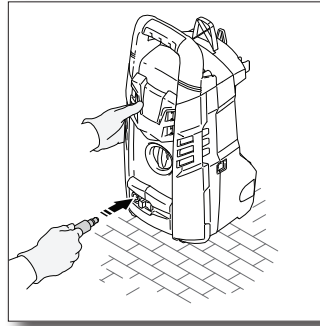
1. Power washer unit
2. Manual
3. Nozzle cleaning wire (may be taped to the manual)
4. Handle
5. Hose Hook
6. Screws
7. Extension Lance
8. 15" Extension Lance
9. Detergent Bottle
10. Quick Connect (Hose Side)
11. Quick Connect Filter (Unit Side)
12. Variable Nozzle
13. Spray Gun
14. Turbo Nozzle
15. High Pressure Hose
16. Spray Gun Trigger Lock



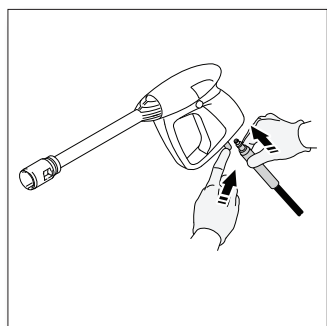
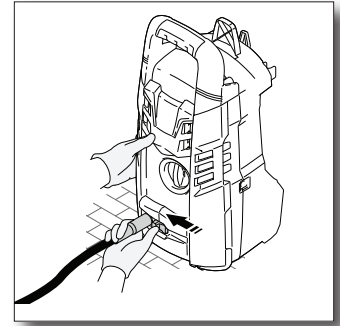
1. Using two screws, attach handle as shown.



2. Using the remaining two screws, attach hose hook.



3. Attach high pressure hose to power washer.



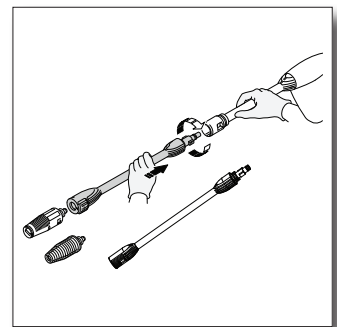
4. Attach high pressure hose to spray gun.



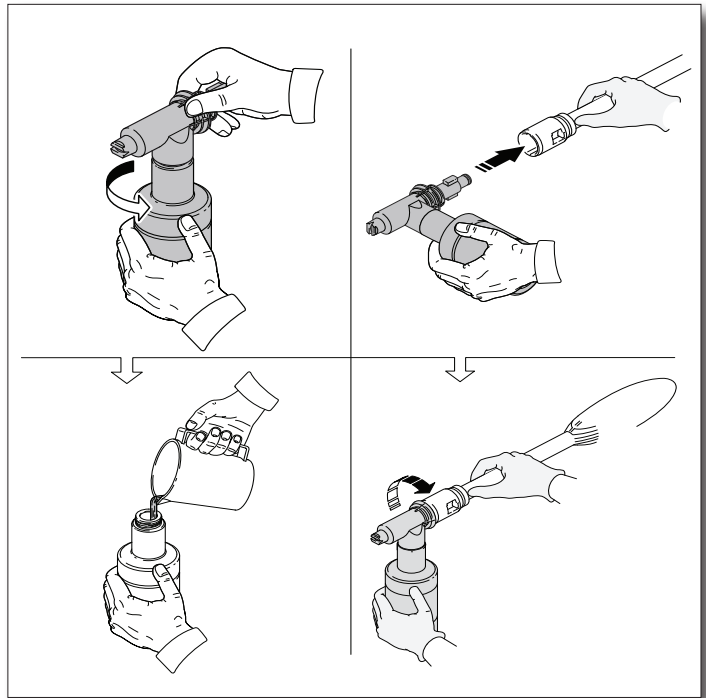
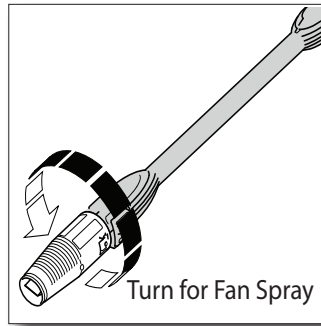
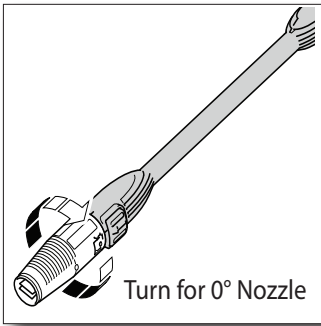
5. Push on left side of spray gun to lock trigger. Always make sure that spray gun is locked when not in use.



6. Push on the right side of the spray gun to unlock trigger.

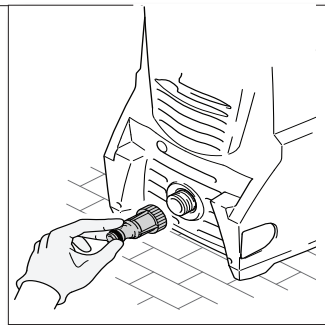


7. Connect lances to spray gun, insert lance into spray gun, push together and at the same time twist clockwise to lock in place. Removing push together and twist counterclockwise then pull apart.

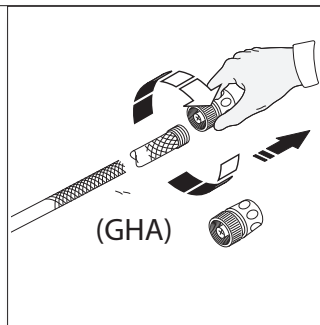


8. The adjustable spray nozzle spray pattern shape and intensity can be changed by twisting the spray adjuster at the end of the lance. Keep hands clear of the front of the lance to prevent injury. While the nozzle is facing AWAY from you (and others) twist counter-clock-wise for a more concentrated spray ending at a 0° nozzle. Twisting clock-wise will garner a wider fan spray.

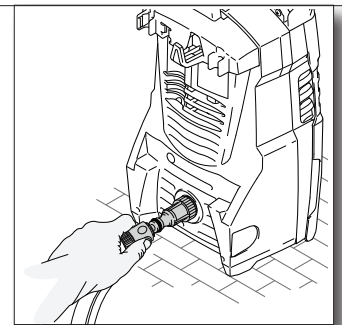
9. Fill detergent bottle. Do NOT use thick detergent as it can clog the power washer.



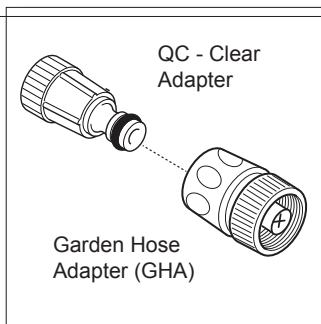
10. Clear QC filter attaches to the power washer.



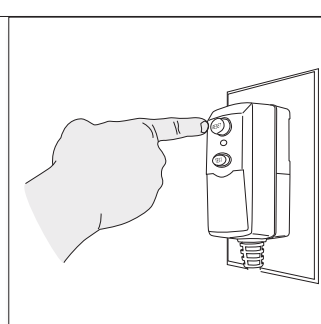
11. Attach GHA to the end of the garden hose.



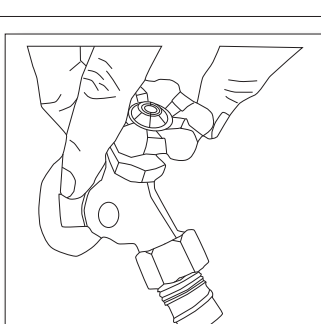
12. Snap the GHA onto the QC adapter. To remove pull back on the collar and pull off.



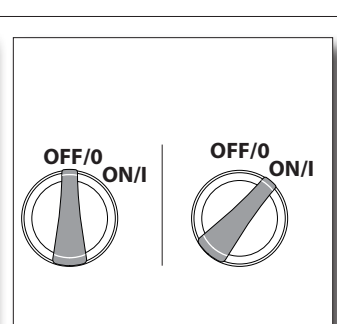
13. Clear QC adapter attaches to power washer, GHA attaches to garden hose.



14. Plug machine into a grounded outlet, push reset button.



15. Turn on Water



16. Switch OFF and ON positions.

TABLE OF CONTENTS

Quick Start.....	2	How to Clean.....	14
Specifications	4	Operating Tips and Maintenance.....	15
Limited Warranty	4	Storage.....	16
Warranty Process.....	4	Pump Saver.....	17
Introduction.....	5	Replacement Parts.....	18
Safeguard, Warnings & Safety Tips.....	5	Troubleshooting and FAQ.....	19
Package Content.....	7		
Unpacking & Assembly.....	8		
Operating Instructions	13		

SPECIFICATIONS

Model	Max PSI (lbs/sq/in)	Max GPM (gal/per/min)	Max Temp	Volts	Amps	Weight (lbs)
AR 117	1,400	1.5	122° F	120	12	15

LIMITED WARRANTY

This product is under warranty to the original retail consumer against defects in material and workmanship for a period of 1 (one) year and is a complete “bumper to bumper” warranty including the spray gun, the high pressure hose and all accessories from the date of purchase. The warranty is not transferable or assignable. This warranty covers replacement parts. This limited one year warranty applies only to products used in consumer applications and is void in rental or any commercial application. Reasonable care must be used in conformity with operation and maintenance instructions in the owner’s manual and quick start guide. Failure to follow these instructions will void this warranty. This warranty gives you specific legal rights and you may also have other rights which vary from state to state.

WARRANTY PROCESS

Keep your original receipt of purchase in case of warranty claim.

If your power washer develops a problem, contact Customer Service by one of the two methods:

1. Send an e-mail to info@arblueclean.com with your name, address the model of your power washer, when and where you purchased it. Describe in the e-mail the problem you are having. A Customer Service person will contact you to resolve the problem.
2. Call our toll-free number at 1-866-235-5112. Customer Service is available Monday - Friday 8:00 a.m. to 5:00 p.m. Central Standard Time (CST). The Customer Service person will work with you to fix the problem.

If the power washer needs to be returned for repair, shipping costs to the company must be paid by the customer. A **Return Merchandise Authorization (RMA) Number** will be issued for the return. Upon receiving the power washer, the company will repair or replace the unit. We will send unit back to customer at no charge.

Please note: Power washers sent to the company **without an RMA Number will NOT be accepted** and shipped back at the expense of the sender.

INTRODUCTION

Congratulations on the purchase of your **BLUE CLEAN POWER WASHER!**

Your **BLUE CLEAN POWER WASHER** is a power tool in every sense of the word that may be used outside your house and in. It is one of the finest most powerful home-use power washers in the marketplace today.

Please familiarize yourself with the following assembly, operating and safety information. Read this manual before using the power washer. Failure to follow these instructions could cause personal injury, property damage, or both. Save this manual for other users to read prior to using the power washer.

If you have any questions about or problems with your power washer please call our toll-free number **1- 866-235-5112** and talk with our Customer Service Support Team at AR North America Inc. We are available to talk with you Monday through Friday from 8 a.m. to 5 p.m. Central Standard Time (CST). We can help you with questions regarding operation, warranty, replacement or optional parts, or contact us at info@arblueclean.com.

For more information on the **BLUE CLEAN POWER WASHERS** go to www.arblueclean.com. Power washers, parts, and accessories can be ordered online 24 hours a day, 7 days a week for your convenience.

SAFEGUARDS, WARNINGS AND SAFETY TIPS



IMPORTANT SAFETY INSTRUCTIONS

1. **WARNING**—When using this product basic precautions should always be followed, including the following:
2. Read all the instructions before using the product.
3. Know how to stop the product and bleed pressures quickly. Be thoroughly familiar with the controls.
4. Keep operating area clear of all persons.
5. Do not overreach or stand on unstable support. Keep good footing and balance at all times.
6. Follow the maintenance instructions specified in the manual.
7. To avoid personal injury and/or damage to property and to maximize your power washing experience, carefully follow all of the safety tips, instructions, warnings and safeguards and become familiar with all of the controls. Be sure you know how to quickly bleed off the pressure from all parts of your power washer, and how to turn off the power washer.
8. This power washer conforms to CSA and other safety and consumer standards. Do not modify or rebuild any part of your power washer.
9. Do not use your power washer when you are under the influence of alcohol or drugs. Use this power tool carefully and only when you are alert .
10. Watch your balance and footing while using your power washer. Surfaces become slippery when wet and are extra slippery when using a detergent or cleaner.
11. Never operate the power washer in bare feet, sandals, or open-toed shoes.
12. When using the power washer near children make sure they are closely supervised by

- an adult to avoid injury. Never let a child use the power washer.
13. Keep fingers, hands, feet and any part of your body clear of the stream of high pressure water. The powerful spray can cause blindness or blast holes in the skin. It can break a window if you are too close when you pull the trigger on the spray gun .
 14. Always wear eye protection to prevent injury to eyes when operating the power washer.
 15. To avoid mishaps or injury, always use the trigger safety lock when not using the power washer even if the spraying stops for a moment.
 16. The power washer is equipped with a Ground Fault Circuit Interrupter (GFCI) which greatly reduces the chance of electric shock while the unit is in use. **Replacement Of The Plug Or Cord Is Needed, Use Only Identical Replacement Parts.**
 17. Point the spray gun in a safe direction when beginning a power washing session.
 18. When first using the spray gun, hold the spray gun and lance with two hands when pulling the trigger until you get used to the “kick back” from the spray gun (one hand to pull the trigger and the other to stabilize the gun assembly).
 19. When you press the power switch to turn off the power washer, water pressure may remain in the system. To discharge the pressure, point the spray gun in a safe direction and pull the trigger.
 20. Never spray flammable liquids.
 21. Never use the power washer in areas that contain combustible dust, liquids or vapors.
 22. Avoid contact of the pressure hose with sharp objects and examine the hose regularly. Replace if damaged. Due to the high pressure involved, it cannot be repaired if cut or damaged.
 23. Only use detergent specifically formulated for power washers and Follow instructions on the detergent’s label. We have a selection of power washer detergents to choose from. Go to **www.arblueclean.com** for more information and to order the detergents. Power washer detergents are also available at your local hardware store.
 24. Protect eyes, lungs, and skin from exposure to detergent. Dish or laundry soap is too thick and will clog the nozzle of your detergent bottle.
 25. **IMPORTANT:** Store the power washer indoors to prevent the water in the unit from expanding under freezing conditions. When the water freezes and expands, your power washer will be damaged and become inoperable. Or, if storing outdoors, it is recommended you use Pump Saver. Pump Saver can be purchased on our website: **www.arblueclean.com**. See details in the Pump Saver section of this manual.
 26. Never use hot water with your power washer. It will overheat and damage the high pressure pump.
 27. Never leave the power washer unattended while it is powered “on”.
 28. Always turn the water supply “on ” before turning the power washer power to “on”. Running the pump dry will cause damage to the internal components.
 29. Never use a water supply to your power washer that exceeds 150 psi maximum.
 30. Never disconnect the high pressure hose from the power washer while the system is pressurized.
 31. Never permanently engage the trigger

- mechanisms on the spray gun.
32. Never operate the power washer unless all components are properly and securely connected.
 33. Never allow the power washer pump to run for more than one minute, after you have turned off the water supply. This can cause the motor and pump to over heat and fail.
 34. Never use lances or other parts that have not been supplied with your power washer.
 35. Never use an extension power cord since it defeats the effectiveness of the GFCI and increases the chance of electrocuting the operator.
 36. Never spray any electrical outlet with your power washer.
 37. Inspect the power cord before using. Do not use it if it is damaged.

SAVE THESE INSTRUCTIONS

Servicing of a Double-Insulated Appliance

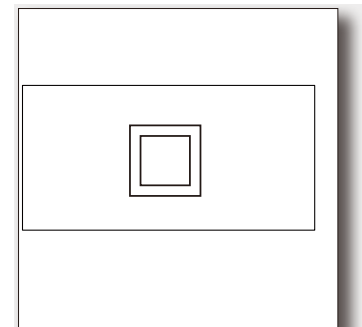
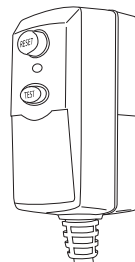
GROUND FAULT CIRCUIT INTERRUPTER PROTECTION

This pressure washer is provided with a ground-fault circuit-interrupter (GFCI) built into the plugs of the power-supply cord. This device provides additional protection from the risk of electric shock. Should replacement of the plug or cord become necessary, use only identical replacement parts that include GFCI protection.

In a double-insulated product, two systems of insulation are provided instead of grounding. Grounding means are not provided for a double-insulated product, nor should grounding means be added to the product.

35. Servicing a double-insulated product requires extreme care and knowledge of the system, and should only be done by qualified service personnel.

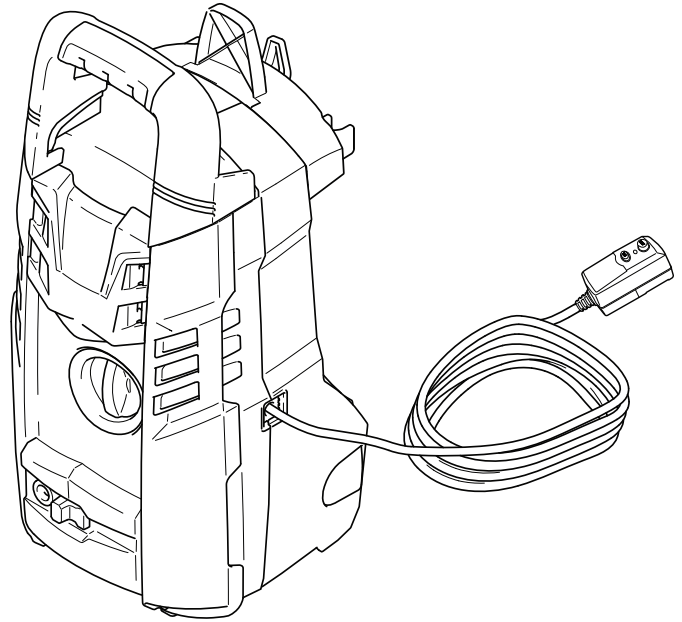
Replacement parts for a double-insulated product must be identical to the original parts. A double-insulated product is marked with the words "Double Insulation" or "Double Insulated". Product may also be marked with symbol shown here.



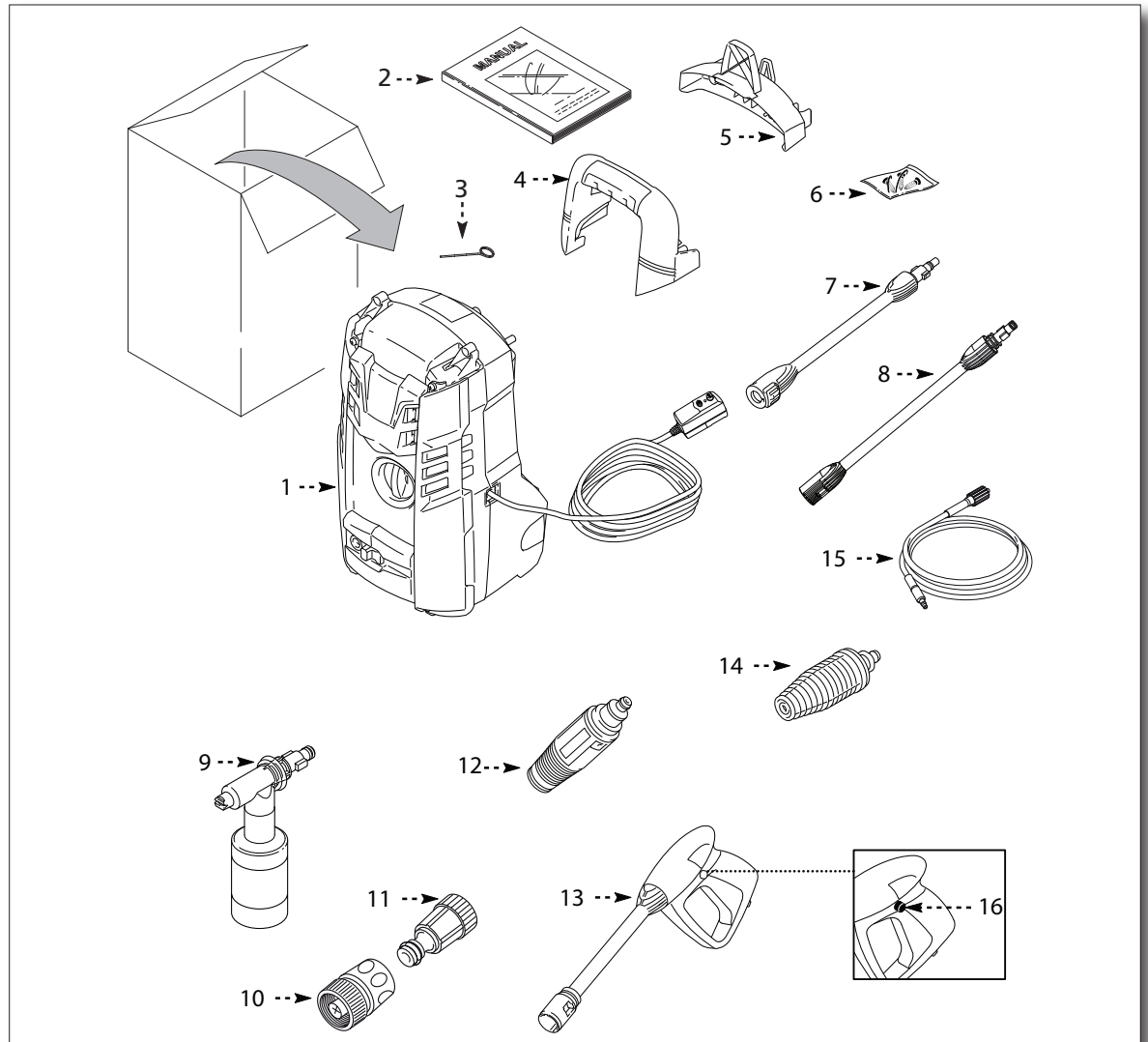
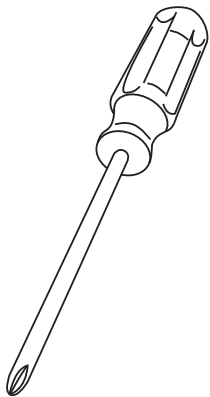
Double Insulated Product

PACKAGE CONTENT:

1. Power washer unit
2. Manual
3. Nozzle cleaning wire (may be taped to the manual)
4. Handle
5. Hose Hook
6. Screws
7. Extension Lance
8. 15" Extention Lance
9. Detergent Bottle
10. Quick Connect (Hose Side)
11. Quick Connect Filter (Unit Side)
12. Variable Nozzle
13. Spray Gun
14. Turbo Nozzle
15. High Pressure Hose
16. Spray Gun Trigger Lock



Note - tool(s)
required for
assembly
Philip
Screwdriver:



UNPACKING & ASSEMBLY

- After unpacking the BLUE CLEAN POWER WASHER, lay out parts and accessories. Familiarize yourself with the parts in the package by comparing them to those listed on the “PACKAGE CONTENTS” page.
- The BLUE CLEAN POWER WASHER requires some minor assembly. You’ll need a Phillips screwdriver to install the high pressure hose hook and the handle.

NOTE: Some parts may or may not be already assembled.

- Slide the handle onto the front side of the washer when facing it. This requires two screws. **(Fig. 1)**
- Slide the hose hook onto the back side of the washer when facing it. This requires two screws. **(Fig. 2)**

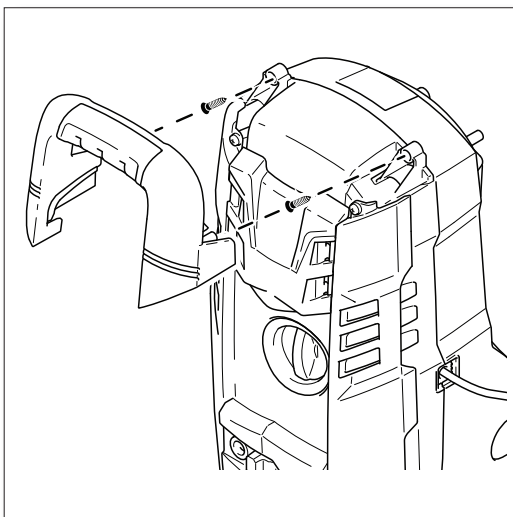


Fig. 1

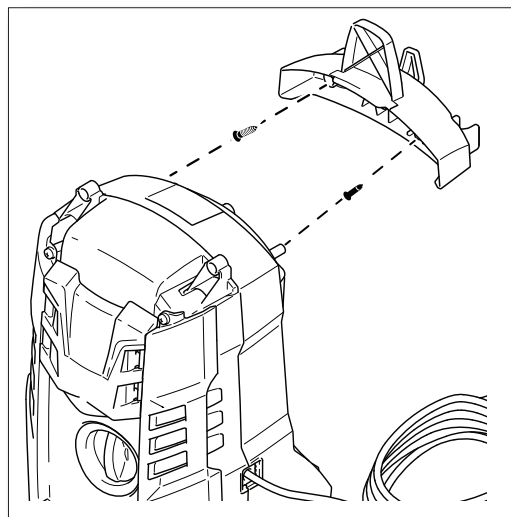


Fig. 2

- Attach the 20' high pressure hose to the unit by pressing firmly into the front port **(Fig. 3)**.
- Lock it into place by sliding locking mechanism into place **(Fig. 4)**.
- When not in use, disconnect the 20' hose by pushing the lock the opposite direction and pulling firmly on the hose again **(Fig. 5)**.

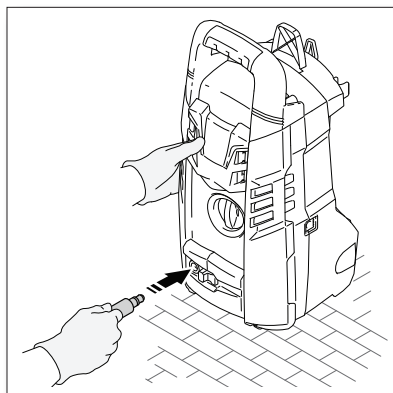


Fig. 3

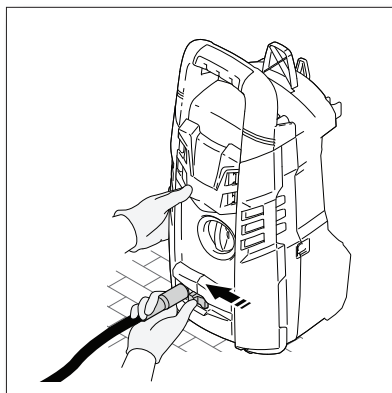


Fig. 4

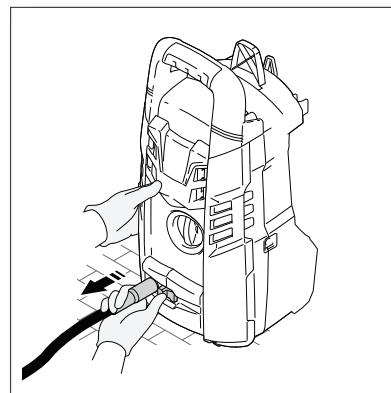


Fig. 5

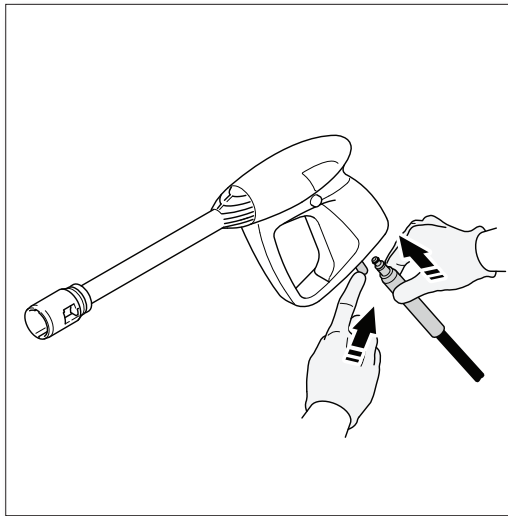


Fig.6

- Attach 20' High pressure hose to Spray gun by pulling back on lock, and inserting hose (**Fig. 6**).
- To release the hose from the spray gun, press the button on the underside of the gun toward the trigger guard. The hose will slide out from the connection (**Fig. 6**).

Spray Gun

- To lock the trigger of the spray gun aim the gun away from you and push the lock button from left to right, (**Fig. 7**), after doing so, squeeze or pull the trigger to make sure it is locked and will not move. Always leave lock button in lock position when not in use. This ensures the gun is in “safe” mode until it is ready for use.

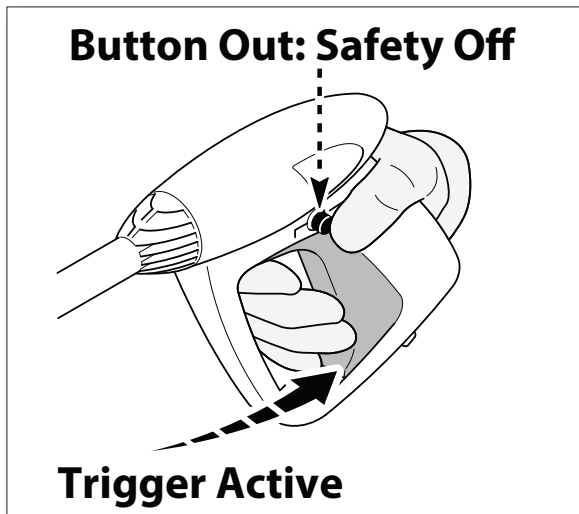


Fig. 7



Fig. 7

Lance

- 8. Connect extension to gun first by pushing together and turning clockwise simultaneously. Twist collar clockwise to lock in place (**Fig. 8**). Connect nozzles or detergent bottle by pushing together and twisting (**Fig. 8**). To remove push together and turn counter clockwise.

Always test a small area to avoid chance of damaging the surface. (**Fig. 9**).

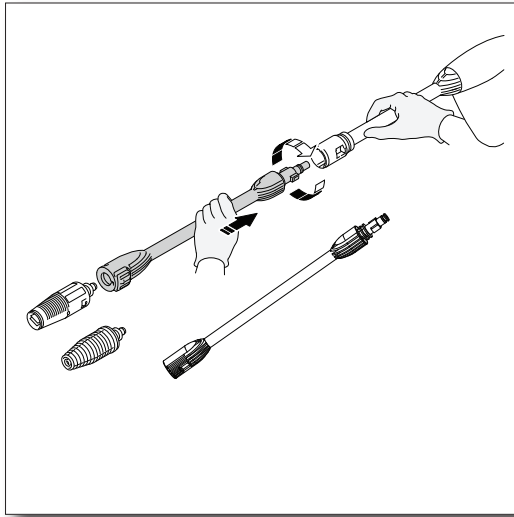


Fig. 8

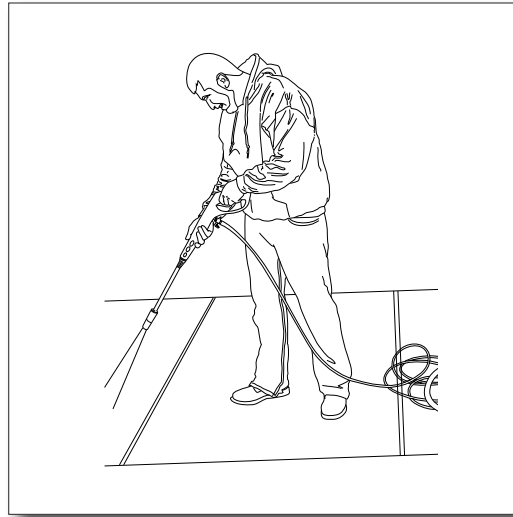


Fig. 9

- The adjustable spray nozzle can vary between a high pressure, 0° concentrated beam (**Fig. 10**) and a large fan spray with lower pressure (**Fig. 11**). You can also vary between the two for a desired pressure and coverage.
- If higher pressure and lower coverage is desired, with the nozzle pointing away from you (and others), twist the nozzle counter clock-wise.
- If lower pressure and more coverage is desired, with the nozzle pointing away from you (and others), twist the nozzle clock-wise.

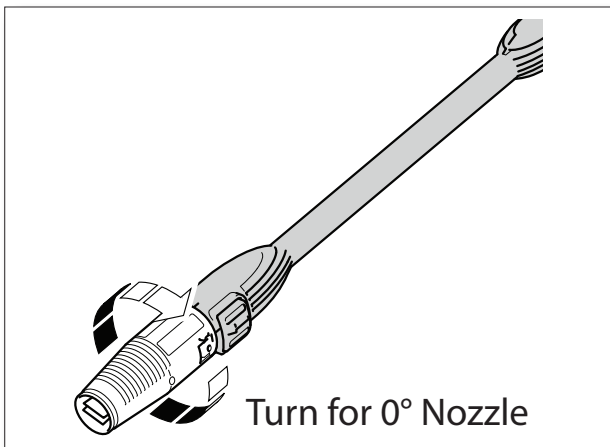


Fig. 10

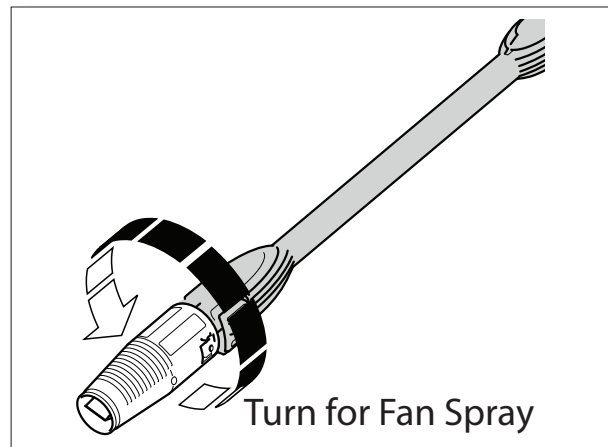


Fig. 11

Detergent Bottle

- The detergent bottle connects directly onto the gun (**Fig. 12**). When using the detergent bottle fill it with a properly formulated detergent or cleaner with a water ratio according to instructions on the container. The detergent bottles comes with a straw which is attached onto the screw-on top. If you do not see the straw, look inside the bottle and attach it to the screw-on top.

NOTE: The ratio of water to detergent is 10:1 or 10 parts water to 1 part detergent.

- Pressure washer detergents are recommended.
- Thick or gel like detergents will clog the power washer and can cause damage.

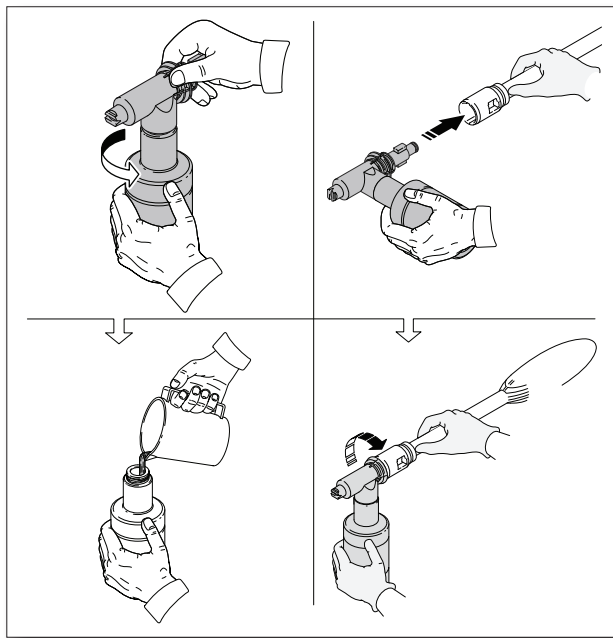


Fig. 12

Garden Hose Adapter

- Install the garden hose adapter (GHA) and quick connect filter. It is made up of two separate pieces. (1) A clear plastic adapter with a screen filter (about 3 inches long) and (2) a blue/black collar attachment (**Fig. 13**).
- Attach the garden hose adapter to the end of the garden hose (**Fig. 14**).

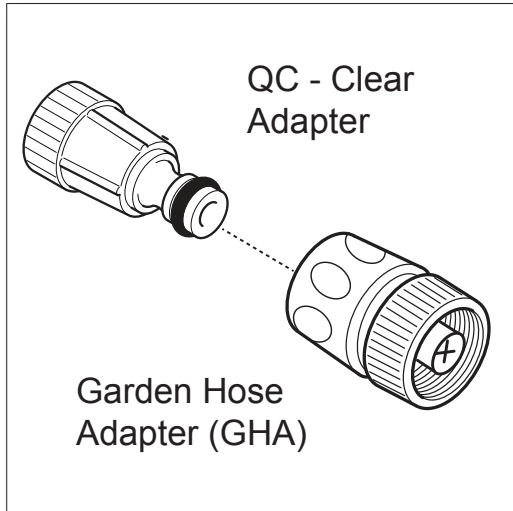


Fig. 13

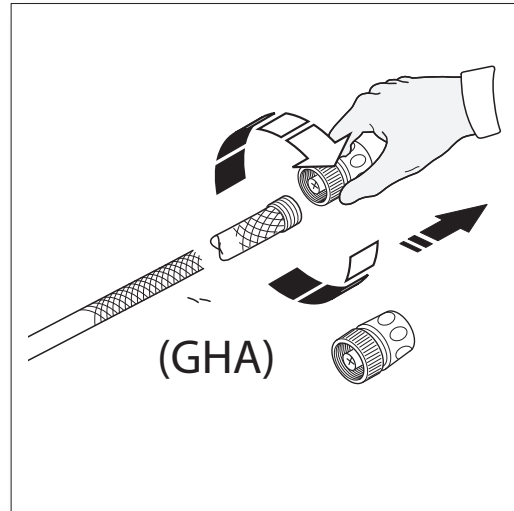


Fig. 14

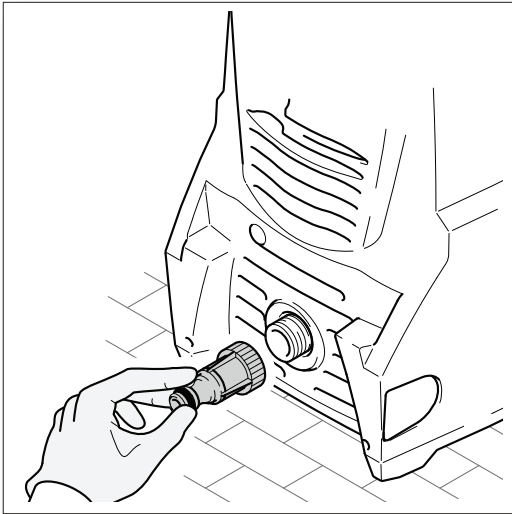


Fig. 15

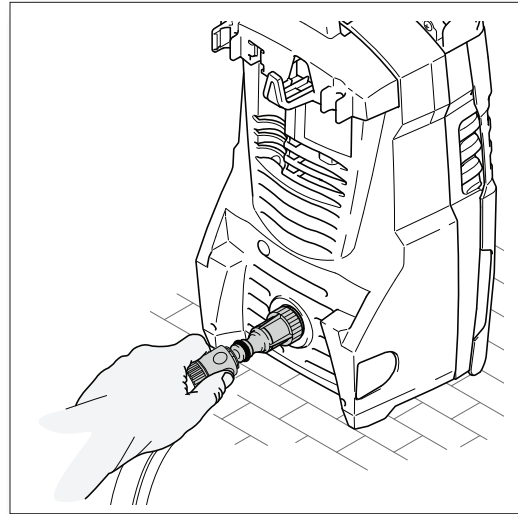


Fig. 16

- First, remove the plastic shipping cover on the water inlet on the front of the power washer on the right side. Attach the clear quick connect filter to the power washer (**Fig. 15**) hand tight is fine. Slide the garden hose adapter collar onto the clear adapter (**Fig. 16**), it will “click” into place.
- The water is now connected to your power washer. Turn on water.
- To remove the water hose, simply pull back on the blue collar and it will slide off the clear adapter. Note: this can be done at any time. Water will not come out of the garden hose as the blue/black collar has a water stop check valve. Water will only flow from the garden hose when it is connected to the clear adapter.
- You have now completed the assembly of your **BLUE CLEAN POWER WASHER** and are now ready to begin using your electric power washer. Read and observe all safety instructions.

OPERATING INSTRUCTIONS

!Turn on the water supply at the faucet! (**Fig. 17**)

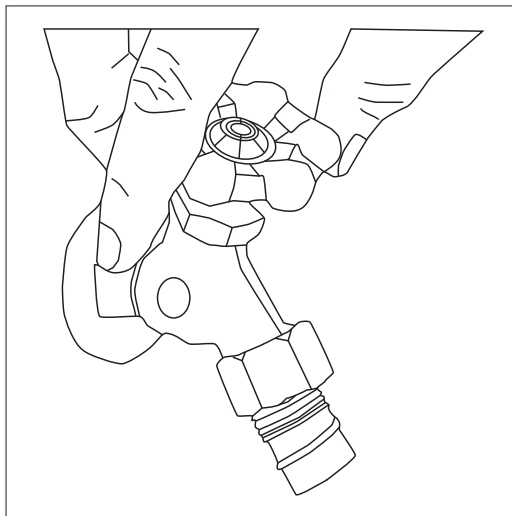


Fig. 17

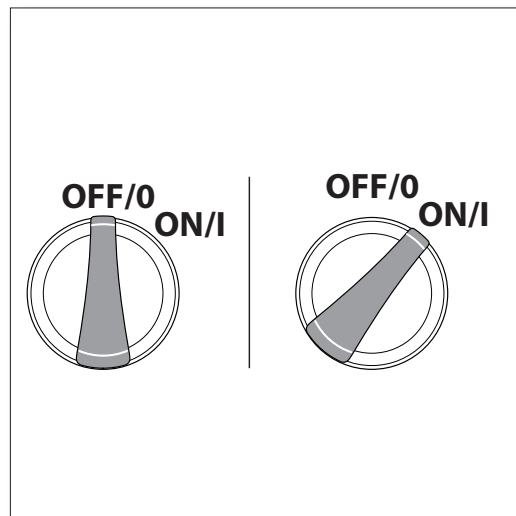


Fig. 18

Powering Up

- Make sure the “ON/OFF” switch is in the “OFF” position. The power switch has international symbols for ‘on’ and ‘off’: On (I) Off (O), (**Fig. 18**).
- Unwind the power cord completely and plug the GFCI into a grounded 120 volt outlet. Press the ‘reset’ button on the GFCI box (**Fig. 19**). The indicator window should show a red color. This must be done each time the unit is plugged in.

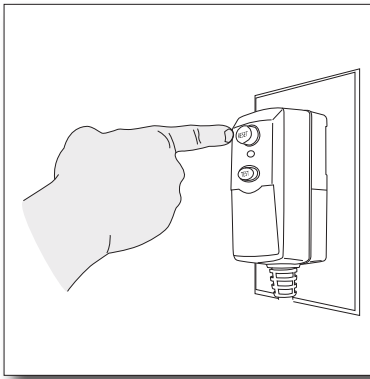


Fig.19

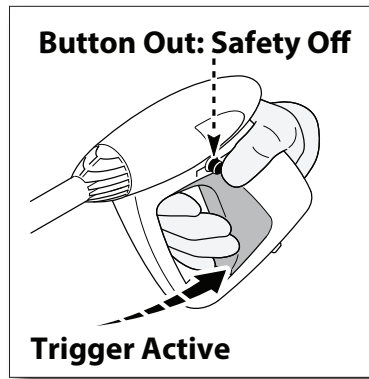


Fig.19

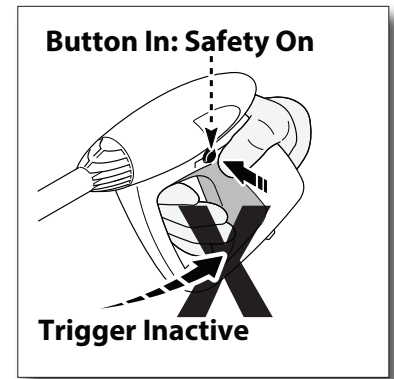


Fig.19

- Release the safety lock button on the spray gun by pressing the safety lock button from right to left (**Fig. 19**). While pointing the spray gun in a safe direction, squeeze the trigger on the spray gun until there is a steady stream of water, letting the water and air out of the hose.
- Turn the power switch to the 'ON' (I) position. The unit will turn on for 1 - 2 seconds and shut off, this is a normal function of the (TSS) auto start feature. Squeeze the spray gun trigger to begin pressure washing.
- Squeezing rapidly will cause the (TSS) feature to miss an on/off cycle that may prevent from turning on while squeezing trigger after rapid squeezing. Use slow deliberate trigger pulls to avoid such symptoms.

HOW TO CLEAN

Cleaning nozzles

- A clogged or partially clogged nozzle can cause significant reduction of water pressure coming out of the nozzle and/or cause the unit to pulsate while spraying.
- Turn off the unit
- Turn off the water supply to the unit
- Relieve any pressure trapped in the hose by squeezing the trigger 2-3 times, and then lock the spray gun by pushing the lock button from left to right.
- The screen inside the clear adapter should be cleaned periodically. Insert a pen or pencil in small hole at the end of the adapter. The screen filter will slide out (**Fig. 20**). Rinse it with clean water, and then place it back in the adapter..
- Using the nozzle tip cleaner provided (or an unfolded paper clip), insert the wire into the nozzle hole and move back and forth until debris is dislodged (**Fig. 21**). Back flush water through the nozzles using garden hose and highest pressure available (either standard water nozzle or use your thumb over the nozzle to create water pressure for back flush).

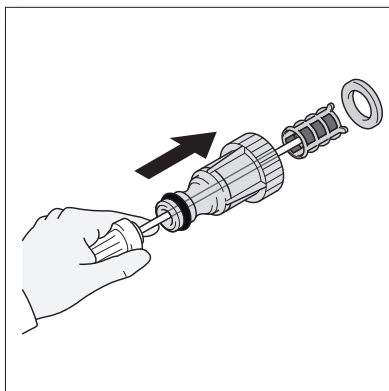


Fig. 20

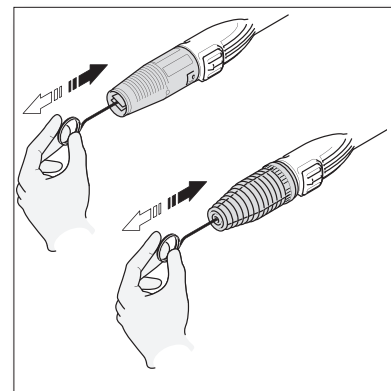


Fig. 21

OPERATING TIPS AND MAINTENANCE

- If you hear the motor run intermittently when the trigger is not being squeezed, that is normal. The pump is priming itself so it is ready to operate when the trigger is squeezed. Turn off the power washer if not being used after five minutes.
- The o-rings on the bayonet end of the adjustable lance should be cleaned regularly and lubricated with non-water soluble grease such as petroleum jelly.
- Keep the nozzle cleaning wire, Which is taped to this manual for use in unclogging the lance nozzle. If you lose the cleaning wire an unbent paper clip works fine.

How to Avoid Damaging Surfaces

- Damage to surfaces being cleaned occurs because the impact force of the water pressure exceeds the durability of the surface. Bare wood can be penetrated; paint can be peeled off, etc. You can vary the force of your power washer by controlling:
 - a. the angle of the surface being cleaned
 - b. the distance of the nozzle from the surface being cleaned
- Never use a narrow high pressure stream of water or the turbo lance on soft surfaces susceptible to damage.
- Use the high/low nozzle lance when cleaning windows. Be sure to adjust the nozzle to low spray and place the nozzle approximately four to five feet away from the window with the nozzle at forty five degree angle. Squeeze the trigger and vary the spray pattern and angle until optimum cleaning efficiency is achieved (**Fig. 23**).

Detergent Injector/Storage

- Use detergents designed for power washers. We offer four (4) power washer detergents, Auto, Motorcycle, Boat and Universal. These can be purchased online at our website **www.arblueclean.com**. Hardware stores or home centers also have power washer detergents for different cleaning projects. The cleaning solution should be the consistency of water in order to prevent clogging your detergent tank and nozzle.
- ***This system applies detergent under low pressure. The cleaning power of the detergents is enhanced when applied with low pressure; and time is allowed to break down the dirt and grime. The combination of low pressure and chemical action is very effective and can be better than scrubbing if applied properly. Always spray detergent on a dry surface, do not pre-soak area. Wetting the surface first dilutes the detergent and reduces its cleaning ability. Do not allow detergent to dry on surface. On vertical surfaces being cleaned, apply detergent to lower surfaces and work your way up to prevent detergent from causing streaks in the dirt and grime. Rinse detergent by pressure washing from bottom up for same reason.***
- If a stain is particularly tough, it may be necessary to reapply the detergent and use a bristled brush to scrub the stain. Subsequent power washing after brushing should successfully complete your cleaning job.

STORAGE

- Remove lance from the gun and place in the accessory holder. Place the gun in the accessory holder on the side. Lances are placed into any of the slots in the back of the unit. Make sure to discard any remaining detergent from the bottle. Flush the bottle and nozzle head with fresh water to prevent clogging.
- When your pressure washing session has been completed, turn off the power switch located on

the front of the power washer. Unplug the power cord from the outlet. Turn off the water supply. Pull the trigger on the spray gun 2-3 times to drain out the excess water and to release any remaining water pressure. Disconnect the garden hose adapter from the water inlet. Do not allow the power washer to run with no water flowing through it.

- Remove detergent tank and clean completely. Residual chemical will stick to the container and can cause the detergent injector to clog and not function properly.
- Remove high pressure hose from spray gun and unscrew the other end of the high pressure hose from the power washer.
- Wrap the power cord around the L-shaped tabs on the right side of the machine when facing it.
- The pressure hose is stored on the hose hook located on the back of the handle.
- **DO NOT store the power washer where it is exposed to freezing temperatures unless you use Pump Saver.** It is recommended that you use Pump Saver for storing in freezing temperatures. Freezing will damage the pump unless Pump Saver is added to the power washer. If not using or if storing your power washer for more than one month, run Pump Saver through it. See the section on Pump Saver for more information.

PUMP SAVER

Pump Saver is a product that protects and prolongs the life of the pump. This will keep the internal parts of the pump lubricated and protected from freezing while being stored in ALL climates. It also assists with protection from internal corrosion. The Blue Clean part # is: PW64511 (16oz. bottle).

Order online at www.arblueclean.com

Pump Saver Instructions

Follow the previous storage instructions for your power washer. To prevent staining, protect the surface under the power washer from any excess fluid. Wear eye protection when using this product.

1. Turn off your power washer.
2. Disconnect garden hose.
3. Shake the bottle well before connecting to the power washer.
4. Screw the garden hose adapter to the Pump Saver Bottle.
5. Click onto pump inlet (clear quick connect filter).
6. Turn the valve on the bottle to the open position.
7. Turn the power washer on. Turn the power washer off as soon as the Pump Saver fluid begins to exit the water outlet - nozzle.
8. Turn the valve on the bottle to the off position and remove the Pump Saver bottle valve assembly from the power washer.

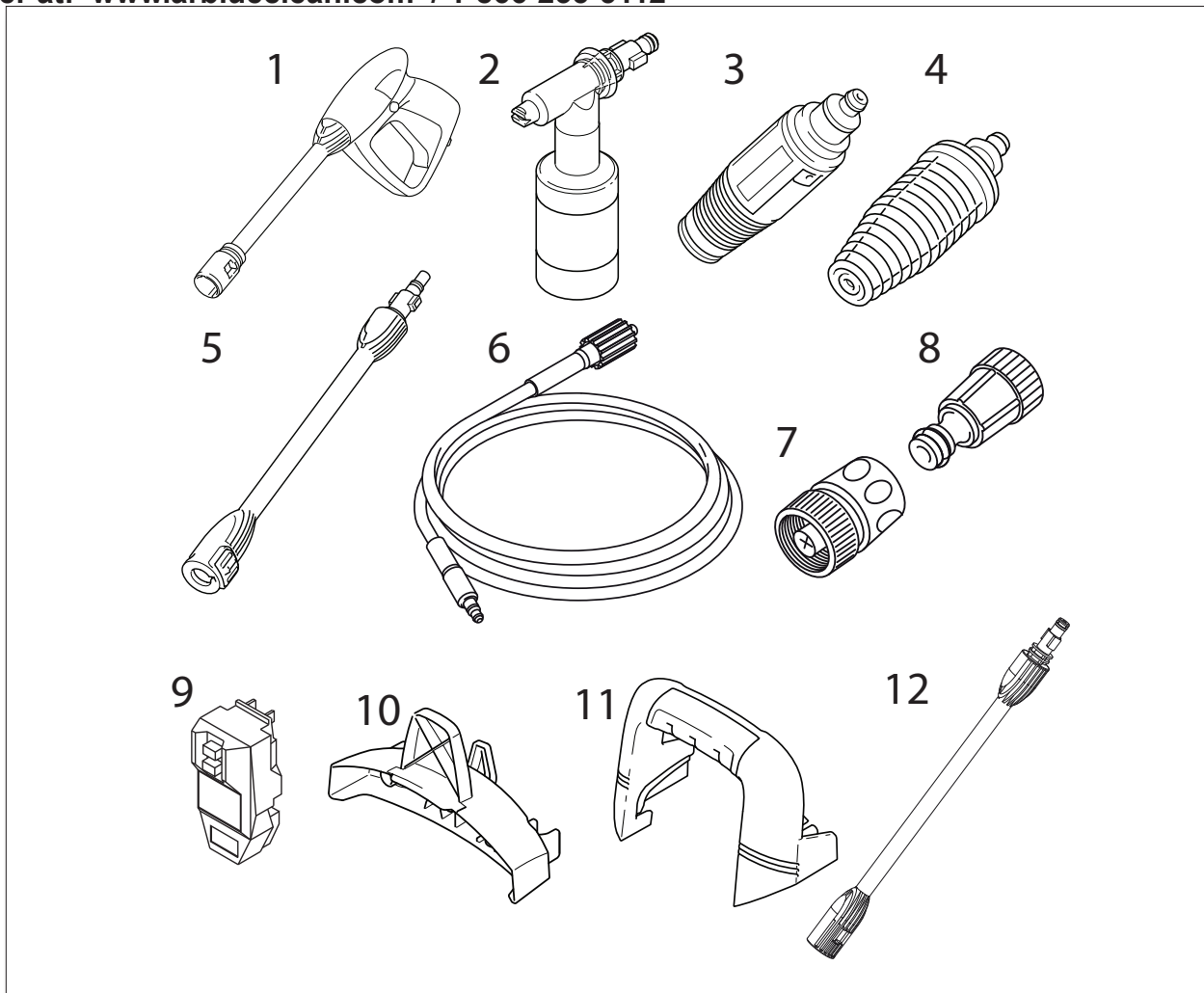
REPLACEMENT PARTS

Pos.	Description	Part Number	Qty.
1	Spray Gun	PW3082283	1
2	Detergent Bottle	PW50954	1
3	Adjustable Nozzle	PW4100790	1
4	Turbo Nozzle	PW4100800	1
5	Extension Lance	PW4100771	1
6	20' High Pressure Hose	PW3083450	1
7	Garden Hose Adapter (blue/black)	PW3082731	1
8	Clear Plastic Filter	PW3082130	1
9	GFCI	PW4221160	1
10	Hose Hook	PW3980030	1
11	Handle	PW4100160	1
12	15" Extension Lance	PW3082860	1

Pump Spare Part Kits

Water Seals & Valves	PW3480140	1
Pre-Assembly TSS	PW4220630	1
O-Ring Kit	PW909104K	1

Order at: www.arblueclean.com / 1-866-235-5112



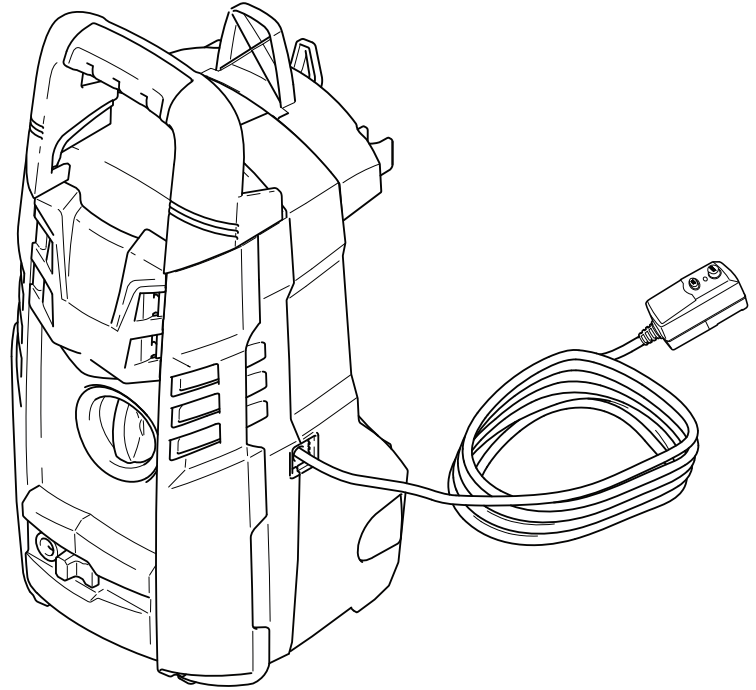
TROUBLESHOOTING AND FAQs

<p>Unit will not turn on.</p>	<p>Make sure the power washer is in the “OFF” position. Plug in the electrical cord to a grounded 120 volt outlet (no electrical extension cord should be used). If the electrical cord will not plug into your outlet, your electrical outlet is not properly grounded and should not be used. Use another electrical outlet. Press the reset button on GFCI power box. If the color of red is not visible in the little window on the GFCI, unplug and plug in again. Press reset, and look for the red color in the window, this should remain red in color. If the color is staying red, turn the power switch on the power washer to “ON”. Squeeze the trigger on the spray gun and try again.</p> <p>If this did not correct the problem, try plugging into another electrical outlet and repeat the above procedure. If it is still not working, call Customer Service at 1-866-235-5112.</p>
<p>The high pressure (HP) hose will not connect / stay connected to the spray gun. Is this a spray gun problem?</p>	<p>In most cases, the spray gun is not the problem. The problem is the rubber sleeve covering the fitting at the end of the high pressure hose. It has likely slipped up toward the metal tip. The fix: wiggle, twist and/or pull the rubber sleeve down until the entire tip is visible plus an 1/8” of the metal fitting below the tip. Now try to insert the hose tip into the spray gun. It should “click” into place and will not come out until the hose is released by pushing in the lever on the underside of the gun.</p> <p>You may cut away the end of the sleeve with a sharp knife if unable to move the sleeve down. Be careful not to cut or puncture the hose.</p>
<p>The unit is running but there is not water flow.</p>	<p>Check the water source. Unclog the nozzle on the lance. (See nozzle cleaning instructions under “Cleaning nozzles”.) Or take off the lance and just spray out of the spray gun. This will indicate if the problem is with the lance.</p>
<p>Why is water leaking where the high pressure hose connects to the spray gun?</p>	<p>Make sure there is an o-ring at the end of the metal tip of the high pressure hose. If no o-ring is present, the connection between the hose and spray gun will leak. O-Ring Kits are available online at www.arblueclean.com or call Customer Service at 1-866-235-5112 to place an order.</p>
<p>I can’t remove the lance from the spray gun. What should I do?</p>	<p>All lances and the detergent tank are attached and removed from the spray gun in the same manner. Insert the quick-release end of the lance/detergent tank into the spray gun. Press the spray gun and lance together (about a 1/8”) and turn clockwise. The lance will lock in place. Remove the lance by reversing this procedure. Press the spray gun and lance together and turn counter clockwise. The lance will slide out. Or, hold the spray gun and lance in an upright position with the nozzle end on the floor. Push the whole assembly straight down to loosen the connection, and then follow the removal process again. You may also spray soapy water or a lubricant in the area where the lance connects to the spray gun.</p>
<p>The power washer turns on for 2 seconds, shuts off, and will not turn back on. Do I have a defective unit?</p>	<p>It sounds like your power washer is working just fine. When the water is connected, the accessories are assembled properly, and the power switch is turned on, the power washer may turn on for 1 - 2 seconds to prime the pump. It automatically shuts off and waits for the spray gun trigger to be pressed. When the trigger is pressed, water starts flowing through the pump. The water sensor in the pump “senses” the moving water and automatically turns the power washer on. Or, turn the power switch to off, hold in the trigger on the spray gun, so that you have a steady stream of water. While you are holding the trigger open on the spray gun, at the same time, turn the power switch on.</p>



**BLUE[®]
CLEAN**

Model AR 117



Cleaning and troubleshooting tips, manuals and other helpful information are available on our website. For parts and accessories for your Blue Clean Washer, visit www.arblueclean.com. Ordering is easy and all major credit cards are accepted.

A.R. NORTH AMERICA, INC.

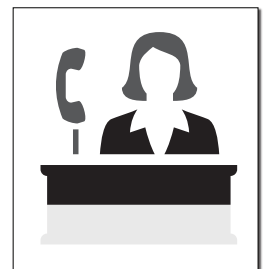
Attn: Power Washer Warranty Department
140 - 81st. Avenue NE, Fridley, MN 55432

Phone: 1-866-235-5112

Fax: 1-866-331-2762

Email: info@arblueclean.com

Website: www.arblueclean.com



Customer Help Line
1-866-235-5112

www.arblueclean.com